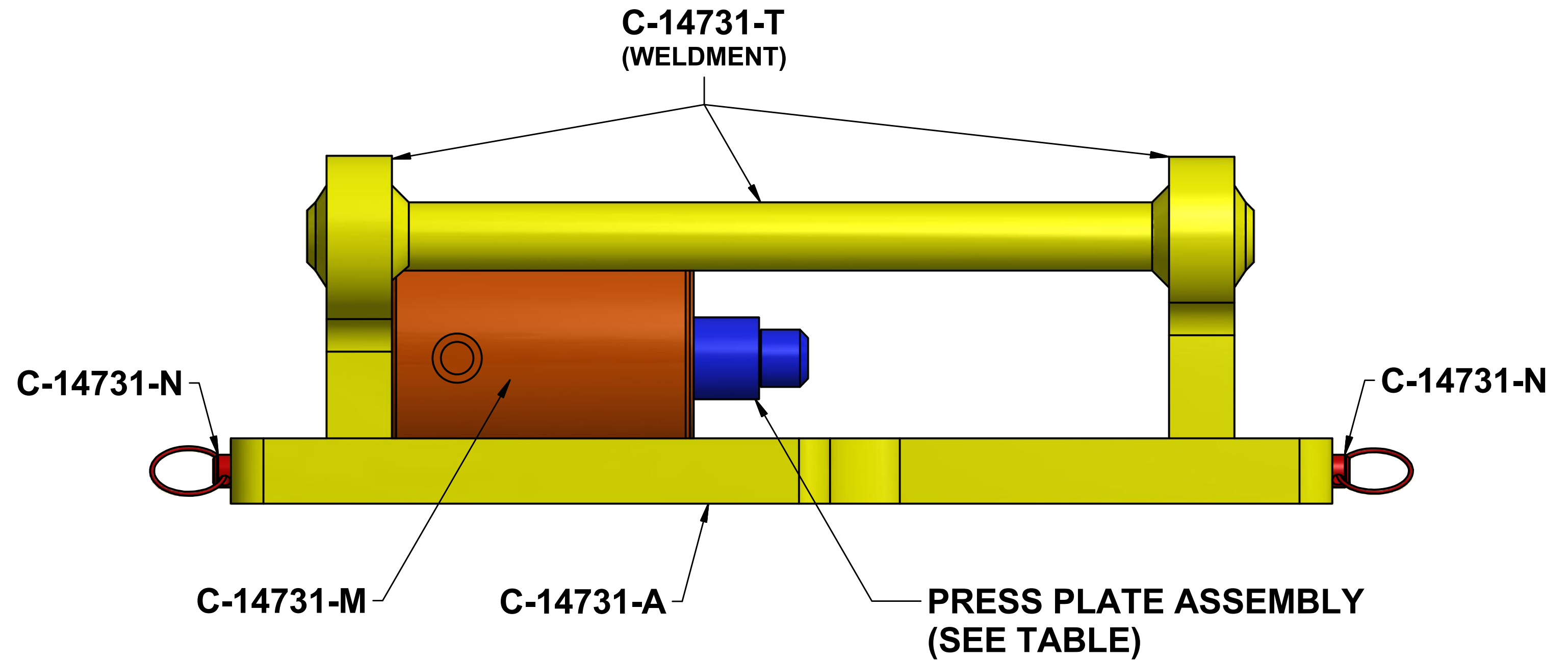


# C-14731 CHAIN PRESS

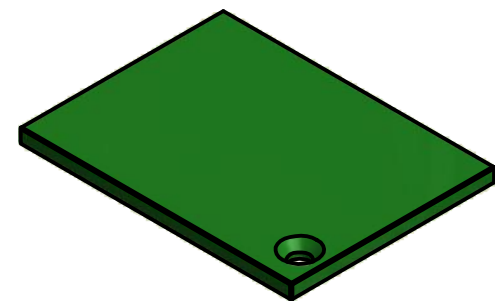
(DA-434, 515, 550, 615, FC-618 & LC-525)

**\*SEE OPERATIONS MANUAL FOR EXPLANATION ON HOW TO USE CHAIN PRESS**

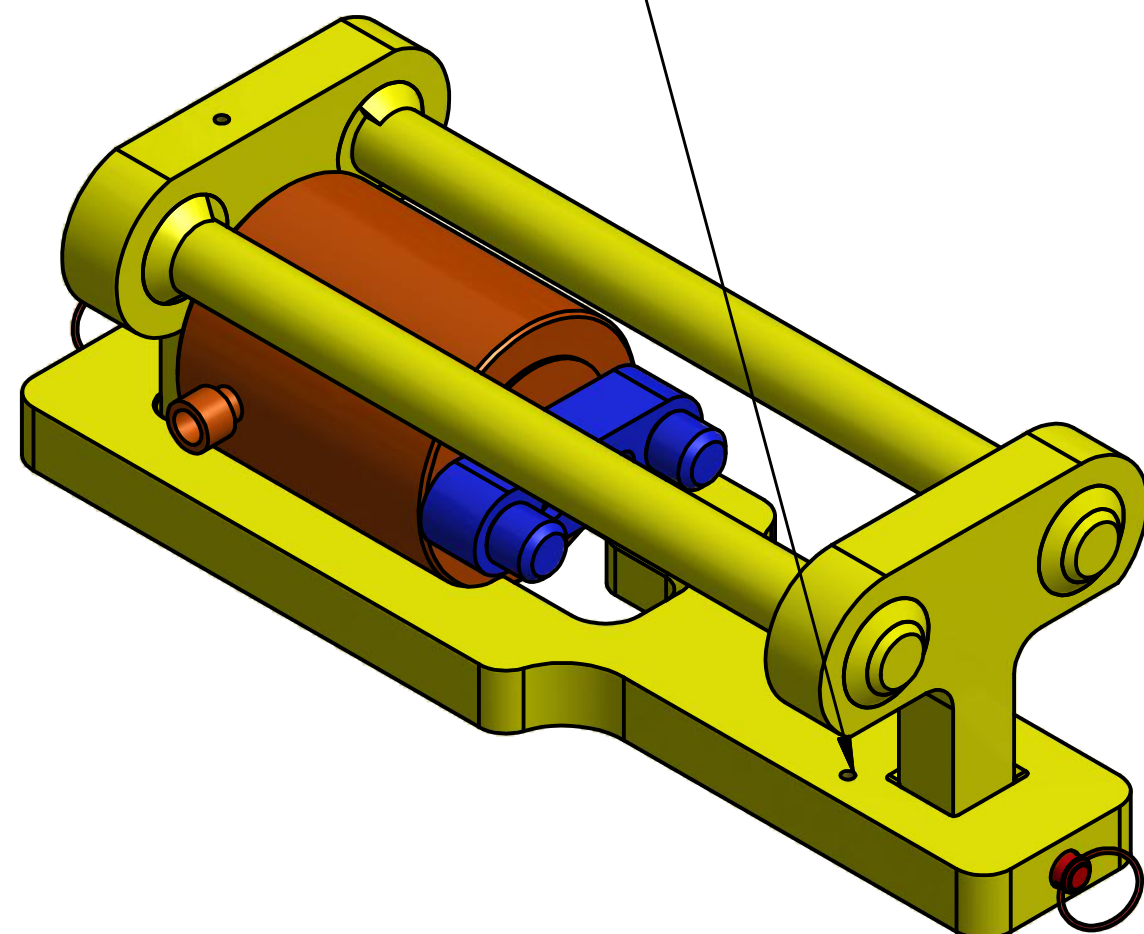
**\*SEE C-14731-350 DRAWING FOR DA-350 CHAIN PRESS (DUAL SPROCKET)**



**RISER PLATE FOR DA-434 & 515 PRESSES**



**BOLT RISER PLATE HERE**



## CHAIN PRESS ORDERING NUMBERS

CHAIN	CHAIN PRESS #	PRESS PLATE ASSEMBLY #	RISER PLATE
DA-434	C-14731-434	C-14731-434-PP	C-14731-E
DA-515	C-14731-515	C-14731-515-PP	C-14731-F
DA-550	C-14731-550	C-14731-550-PP	N/A
DA-615	C-14731-615	C-14731-615-PP	N/A
FC-618	C-14731-615	C-14731-615-PP	N/A
LC-525	C-14731-525	C-14731-525-PP	N/A